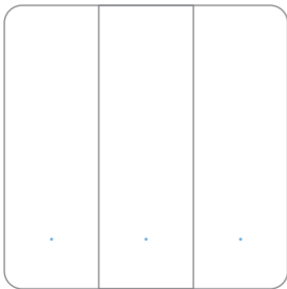




Eva Clicks Zigbee Smart Switch



Quick Start Guide

## WIRING EXPLANATION

Eva Clicks Zigbee Smart Switch is designed to support both Neutral or No-Neutral Wiring systems. Therefore the Neutral Terminal on the module is optional to connect.



In the case of **No-Neutral** (Neutral not connected), switch will not work if no load (refer to page 2) is connected to L1.

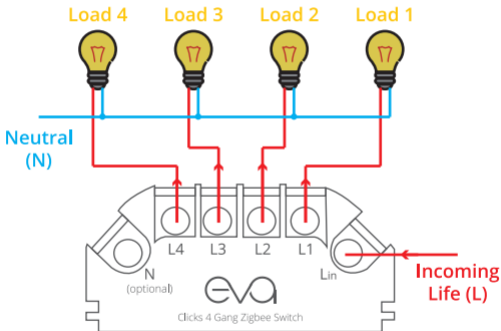
In the case of **Neutral wire is connected**, then the switch will work by itself without load.

**Both ways do not require capacitor.**

# INSTALLATION DIAGRAM (NO-NEUTRAL)

For No-Neutral wiring, **Load is required** on L1 in order for the switch to power up and work normally.

**No capacitor is required.**

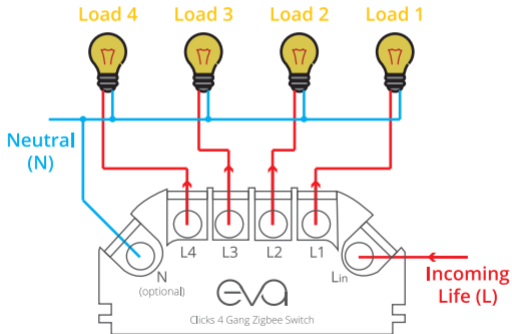


**Note:** For no-neutral connection, **Fan is not recommended to connect to L1** due to unstable current from fan motor. Swap the fan wire to either L2/L3/L4 terminal.

# INSTALLATION DIAGRAM (NEUTRAL)

In the case that Neutral wire is available, simply connect the neutral wire to the terminal at the back of the switch.

**No capacitor is required.**

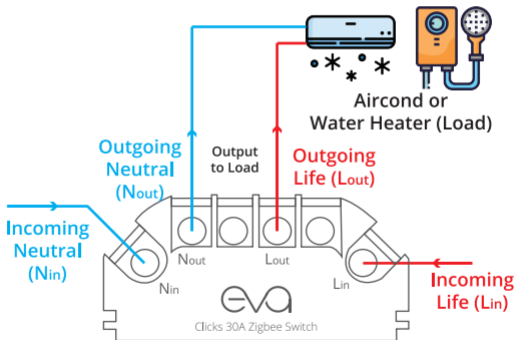


# INSTALLATION DIAGRAM (30A / AC / WH)

For aircond and water heater switch, there is Life and Neutral for both incoming and outgoing terminals.

Incoming represents the incoming power from Electrical DB.

Outgoing represents the outgoing power from switch to Load.



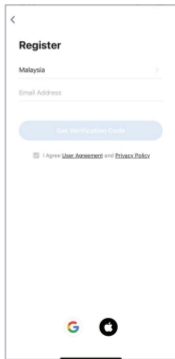
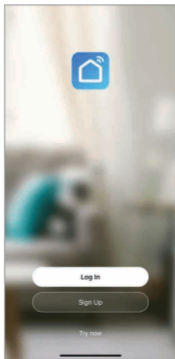
# ACCOUNT REGISTRATION / LOGIN

1. For first time user, create an account and follow on-screen instructions to get verification code to complete your new account registration.

Scan QR code  
to download app



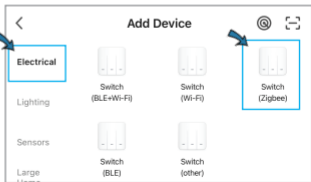
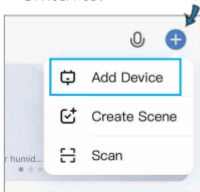
Android 4.0  
iOS 8.0 and above



# ADD DEVICE

Before adding Eva Clicks Zigbee Switch, Eva Home Hub or a compatible Zigbee Gateway has to be added first.

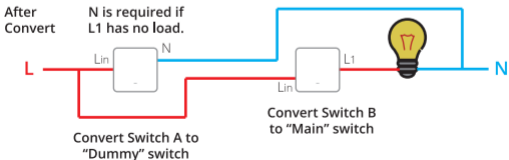
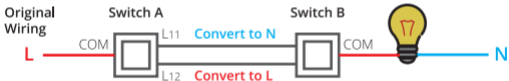
1. Install Eva Clicks Zigbee Switch accordingly to the diagram shown in page 2/3/4.
2. Once installed, hold the left button (L1) for about 5-6 seconds until blue light starts blinking.
3. On the app main page, tap on the **+** icon at the top right corner and choose "add device".
4. Under the "Electrical" tab, Select "Switch (Zigbee)".
5. Select the gateway that you would like to add the Zigbee switch to.



# MULTI-CONTROL ASSOCIATION (1 GANG 2 WAY CONVERSION)

Eva Clicks Zigbee Switch can be used as a 2-Way or Multi-way switch by utilizing the multi-control association function. Once it is setup, both switches will turn on/off at the same time.

For 2-Way conventional switch, the circuit has to be converted to a 1-Way circuit before Eva Clicks can be installed. Refer below diagram for conversion of 1 Gang Switch



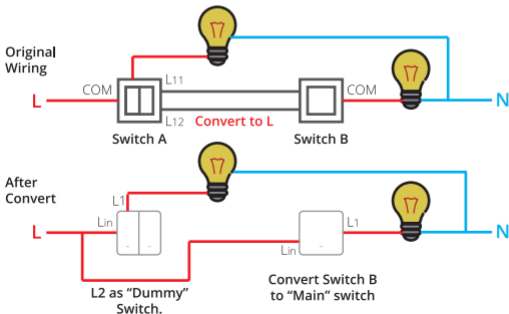


# MULTI-CONTROL ASSOCIATION (2/3/4 GANG 2 WAY CONVERSION)


In the case of either side is 2/3/4 Gang switch, convert the 1 gang side into a "main" switch.

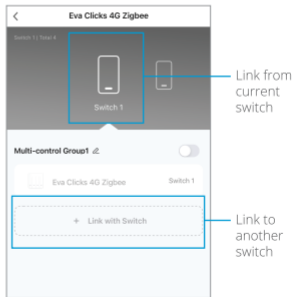
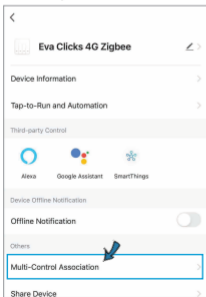
Utilize the L1 for the 2/3/4 Gang switch on the other side to provide power to the smart switch so that Neutral cable is not required.

Refer below diagram for conversion of 2 Gang Switch




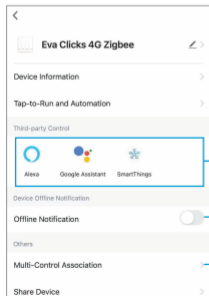
# MULTI-CONTROL ASSOCIATION (SETTINGS FOR 2 WAY / 3 WAY / 4 WAY...)

1. To setup multi-control association, tap on  (pencil) icon at the top right corner of device page. Then select “Multi-Control Association” tab.
2. Scroll left or right at the grey area to choose the button on the selected switch to link to another switch.
3. Then tap on “Link with Switch” and choose the other switch that you would like to link to.



# CONNECTING TO 3RD PARTY VOICE ASSISTANT

1. From the main interface, select the  (pencil) icon to open up the “device information panel”.
2. At “Third-party Control” section, select the desired voice control assistant to connect.
3. Follow on screen instructions to proceed with account linking.



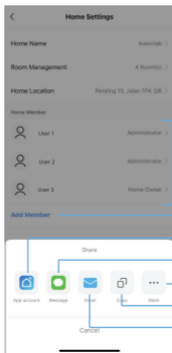
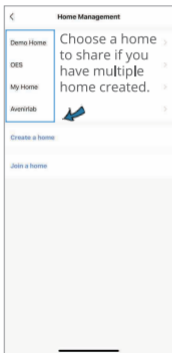
Link to 3rd party voice services.

Enable to get notification if controller goes offline for more than 30 minutes.

Link this switch to another switch.

# HOME SHARING

1. From the app main panel, select "Me" on the bottom right. Then select "Home Management" from the selection.
2. Choose a home that you would like to share.
3. NOTE: Home must be set up first.
4. Select "Add Member", and choose your desired sharing method.



Current added members.

Add member.

Invite app account user.

Share invite link via SMS.

Share link via other app.

Copy invite link.

Share invite link via email.

# HOME AUTOMATION FUNCTION

Eva Clicks Zigbee Switch can be automated alongside with other smart devices that bears the marking “Powered by Tuya” or devices that works with “Smart Life” or “Tuya Smart” app.

- Devices are required to be added into the same app to work.



Powered by Tuya



Tuya Smart app



Smart Life app

Tap on “Scene” from the main page to add automation.

There are mainly 2 types of automation:

## 1. Tap-to-Run

- Used for creating a “scene” or a shortcut button.
- Can be used to execute actions from different devices.

## 2. Automation (Smart)

- Actions that run automatically when a condition is met.
  - Timer / Schedule
  - Location changes
  - Device status changes
  - Weather changes

# FAQ AND TROUBLESHOOTING

## 1. Do I need to connect a neutral wire?

- Neutral wire is optional to connect. Eva Clicks Zigbee Switch supports both neutral and non-neutral installation.

## 2. Do I need to install a capacitor?

- No capacitor is required. Eva Clicks Zigbee Switch is designed to work without any neutral and capacitor.

## 3. It keeps showing offline, what should I do?

- Make sure Zigbee Gateway is not offline.

## 4. What should I do when adding device process has failed?

- Check if the wires are connected properly and switch is working properly when pressed.
- Check if your Zigbee Gateway is powered on and working properly.
- Check if blue light is blinking on the switch.

## **5. Can I control my switch with my mobile 3G/4G network?**

- After Eva Clicks Zigbee Switch is added into app, you can remotely access and control it over 3G/4G mobile network from your phone.



Demo videos



In-depth tutorials



[www.evasmart.co](http://www.evasmart.co)